

Data Center Services

Facility Concept Plan

At a Glance:

- Determine future growth requirements for your data center
- Set project scope by identifying goals and objectives
- Develop preliminary floor plan to help you fully visualize your layout
- Predict capital budget with greater accuracy
- Make the strongest and most complete business case for project approval and funding

Creating a Comprehensive Roadmap; Achieving Data Center Planning and Budgeting Success

Retrofitting an existing data center or building a new one is a major capital investment. Obtaining funding from senior management and your board of directors can be difficult. The budget required for a 10,000 square-foot data center is easily in the multi-million dollar range. Of course, actual costs depend upon factors such as proposed size, Tier Level and power profile. A true capital budget should also reflect relocation needs and IT procurement requirements. With a project of this magnitude, it becomes essential to solidify your key information at the start so you can use it to guide you through the entire process.

How the Facility Concept Plan Pays Off

Ultimately, you will need to know what your data center will cost, what it will look like and how it will function. The facility concept plan will deliver this—and more—sooner rather than later. When you get a concrete, upfront look at your data center plan, you will be able to predict true project scope and costs—including ways you can save.

The facility concept plan also provides you with the physical evidence you need to sell your vision through to upper management. Including a facility concept plan in your overall data center development will ensure smoother design and budgeting phases because you will have all the information you need to manage a successful project from start to finish.

Optimize Your Resources

Working with Forsythe on a facility concept plan is the equivalent of “measuring twice and cutting once.” You are taking an extra step to ensure the accuracy of your

information so that your decisions and purchases are on target, right from the start. Forsythe will help you strategically consider services like power, cooling, fire protection and security. Forsythe will also help you optimize your resources for greater flexibility and modularity.

Your comprehensive planning will include ways to make your data center more reliable, redundant, infrastructurally sound, greener and better primed for growth.

Engineer Your Data Center from Start to Finish

Project Scope. Forsythe will help you determine the full scope of your data center by evaluating your historical IT requirements along with your current data spend. By considering past and present performance, Forsythe will help you make informed decisions about all of your possible consolidation, expansion, retrofitting, relocation and/or acquisition needs.

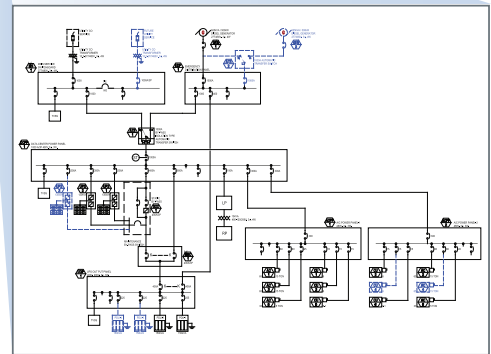
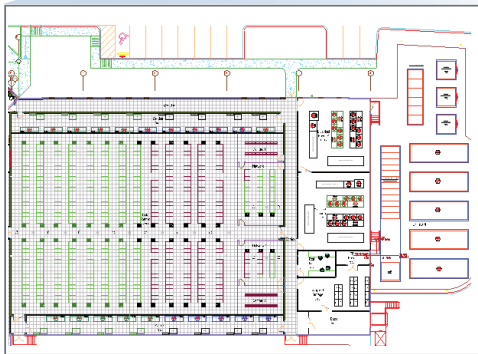
Floor Plan. Forsythe will help you visualize the complete layout and footprint of your data center, including adjacencies and dependencies of ancillary and support spaces.

Single Line Diagram. Forsythe will show you how power flows through your entire data center, identifying all major infrastructure acquisitions, including generators, CRAC units, switchboards, PDUs and more.

Green Initiatives. Now more than ever, Forsythe will help you focus on greener options so that your new or retrofitted data center will operate at the highest level of efficiency and the lowest possible cost.

Capital Budget. Forsythe will show you where you can save money by using existing resources or deferring some capital expenses until load demands increase.

Forsythe Facility Concept Plan Process & Deliverables			
Project Scope	Floor Plan	Single Line Diagram	Capital Budget
<ul style="list-style-type: none"> Historical growth analysis Future growth projections Programming/scope of work <ul style="list-style-type: none"> Tier Level determination Specifications Systems Components Finishes 	<ul style="list-style-type: none"> CAD floor plan drawing <ul style="list-style-type: none"> Room sizes, shapes Adjacencies & dependencies Current vs. future infrastructure 	<ul style="list-style-type: none"> Electrical diagram/power flow Major infrastructure acquisitions 	<ul style="list-style-type: none"> Hard and soft costs Procurement costs Alternatives Labor costs Contingencies



Forsythe provides you with more than two million square feet of data center design experience.

Get the Forsythe Advantage.

For more than 35 years, Forsythe has delivered forward-thinking advice, technology and operation-enhancing solutions. As an independent advisor, Forsythe can help you address every aspect of your infrastructure, including how new solutions may affect the bigger picture. Working with every major provider, Forsythe acts as your single point of contact for managing the cost, effectiveness, and risk related to your information systems.

Let Forsythe Help.

Business objectives—and business issues—don't exist in a vacuum. Forsythe identifies and addresses IT interdependencies to deliver solutions that work across your enterprise. Call us today.

